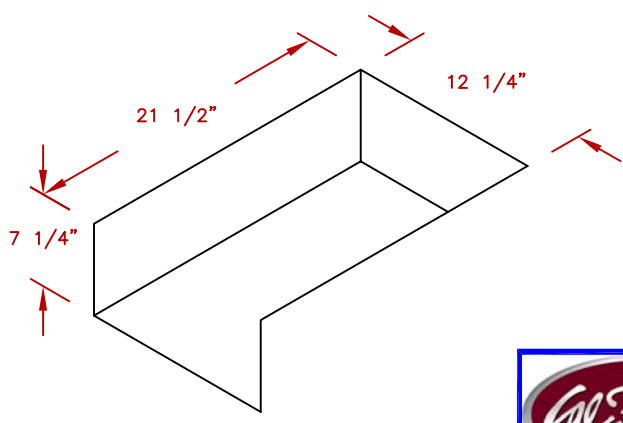
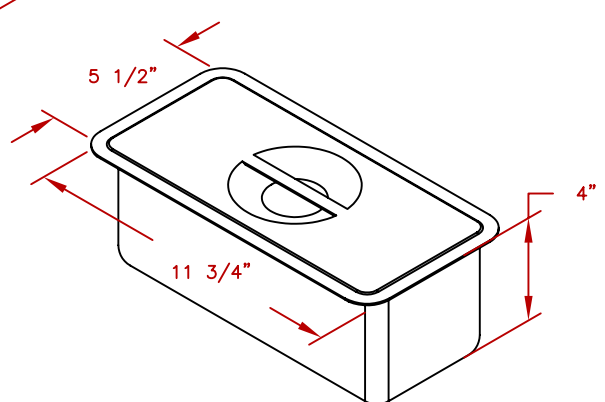
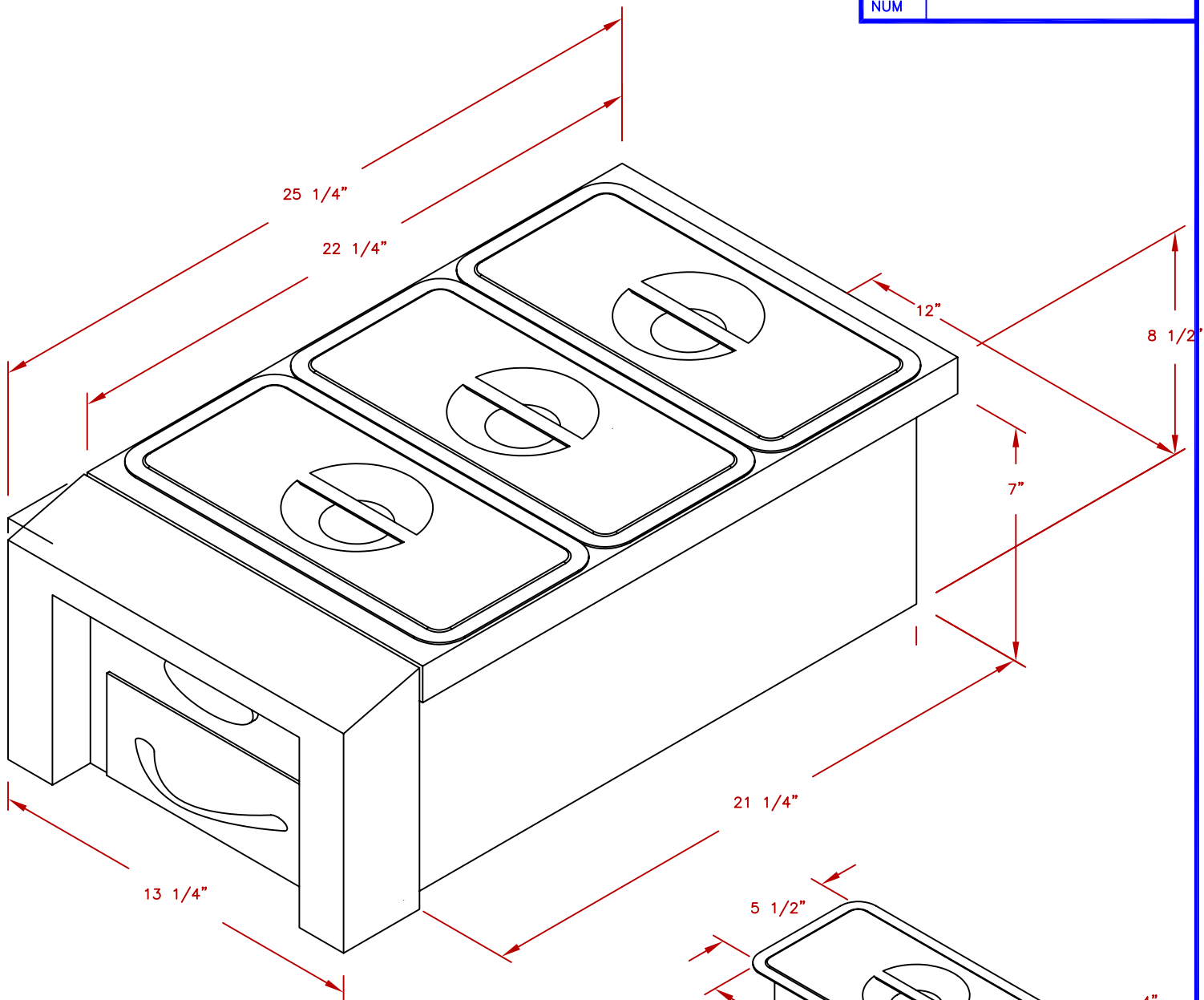


|       |             |
|-------|-------------|
| LINE  | BBQ LINE    |
| MODEL | FOOD WARMER |
| NUM   |             |



CUT OUT DIMENSIONS



TITLE 2014 BARBECUE LINE ACCESSORIES-DROP IN-12" FOOD WARMER

SCALE:

DWG NO. BBQ07888P

DWG BY S. LINARES

REVISED

REV. DESCR.

DATE 01/01/14

NOTE: DUE TO OUR CONTINUOUS IMPROVEMENT PROGRAM, ALL MODELS AND SPECIFICATIONS ARE SUBJECT TO CHANGE WITHOUT NOTICE.